



A clean finish every time - the EDGE 135 downlight is a larger version of the Edge 110, ideal for commercial projects. Utilising advanced LED engines, the Edge 135 achieves unmatched illumination with a fraction of the energy.

## FEATURES

- + Adjustable head up to 25°
- + Ideal for commercial projects
- + Precision reflector with clear lens - for better light distribution and performance
- + Specially designed heat sink - for class leading heat dissipation
- + Deep set lamp position - for visual comfort and glare control
- + Compatible with remote Casambi CBU-TED Bluetooth Controllable Dimmer (71-CASCBU) & with Casambi BasicDim Driver 71-CAS600



## GENERAL SPECIFICATIONS

<b>LED</b>	25W
<b>Lumens</b>	2255 lm (3000K)   2340 lm (4000K)
<b>Efficacy</b>	91 lm/w (3000K)   92 lm/w (4000K)
<b>Colour Temperature</b>	<input type="checkbox"/> 3000K, Warm White <input type="checkbox"/> 4000K, Cool White
<b>Material</b>	Powder Coated Aluminium
<b>Finish</b>	White   Black
<b>Beam</b>	15°   24°   36°   60°
<b>CRI</b>	92+
<b>IP</b>	44
<b>Colour Deviation</b>	SDCM ≥2
<b>UGR</b>	<19
<b>Lifetime</b>	>55,000hrs L80 B10
<b>Warranty</b>	7 Years

**Please Note:** When using C-Bus, use universal or trailing edge dimming modules

## PROJECT DETAILS

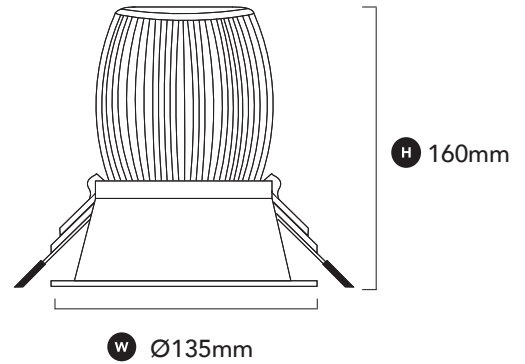
PROJECT:

TYPE:

NOTES:

## DIMENSIONS (mm)

**i** Cut Out  
Ø125mm



## DRIVER SPECIFICATIONS

L 104 x W 43 x H 24mm

<b>Power</b>	600mA 240V Remote, Flicker Free Dimmable Driver
<b>Dimming</b>	Phase Cut Dimming
<b>Power Factor</b>	> 0.90

***DALI dimming available upon request***

## PRODUCT CODE

White, 3000K, 60°	<b>118-ED2C25W603</b>
White, 4000K, 60°	<b>118-ED2C25W604</b>
Black, 3000K, 60°	<b>118-ED2C25B603</b>
Black, 4000K, 60°	<b>118-ED2C25B604</b>

## REFLECTOR CODES

15° Reflector	<b>118-RFLE15</b>
24° Reflector	<b>118-RFLE24</b>
36° Reflector	<b>118-RFLE36</b>