

OTTOVOLANTE

ESPO LIGHTING
www.espo.com.au
sales@espo.com.au

DESIGN: Paolo Grasselli
 YEAR: 2004
 MANUFACTURER: modo

INFO



OTTESP100C02 + OTTESP150P02

— Suspension and ceiling lamp in cotton, washable, hand-finished pleated fabric or metallic PVC. One side frosted Plexiglas disc underneath.

CODE & LIGHT BULBS

OTTESP100P02

→ 100 × 50 × h 12 cm – kg 8,00

OTPESP150P02

→ 150 × 50 × h 12 cm – kg 11,00

OTTESP100C02

→ 100 × 50 × h 12 cm – kg 7,00

OTPESP150C02

→ 150 × 50 × h 12 cm – kg 10,00

suspension

→ 100

⊘ 6 × E27 42W HES

⊘ 6 × E27 LED – Fluo

⊘ 2 × FC T5 22W

⊘ 2 × modulo LED 18W 3000K

→ 150

⊘ 8 × E27 42W HES

⊘ 8 × E27 LED – Fluo

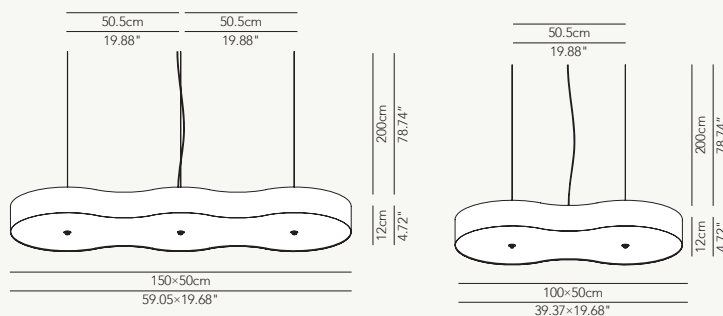
⊘ 3 × FC T5 22W

⊘ 3 × modulo LED 18W 3000K

INDOOR IP 20



TECHNICALS



FINISHES



cotton



plissé



plissé ribbon



met. pvc



washable

** cable on measure
 * on demand

OTTOVOLANTE

ESPO LIGHTING
www.espo.com.au
sales@espo.com.au

DESIGN: Paolo Grasselli
YEAR: 2004
MANUFACTURER: modo

INFO



OTTESP100P02 + OTTESP150P02

— Suspension and ceiling lamp in cotton, washable, hand-finished pleated fabric or metallic PVC. One side frosted Plexiglas disc underneath.

CODE & LIGHT BULBS

OTTEAP100P05

→ 100 × 50 × h 13 cm – kg 8,00

OTPEAP150P05

→ 150 × 50 × h 13 cm – kg 11,00

OTTEAP100C05

→ 100 × 50 × h 13 cm – kg 7,00

OTPEAP150C05

→ 150 × 50 × h 13 cm – kg 10,00

ceiling lamp

→ 100

⊘ 6 × E27 42W HES

⊘ 6 × E27 LED – Fluo

⊘ 2 × FC T5 22W

⊘ 2 × modulo LED 18W 3000K

→ 150

⊘ 8 × E27 42W HES

⊘ 8 × E27 LED – Fluo

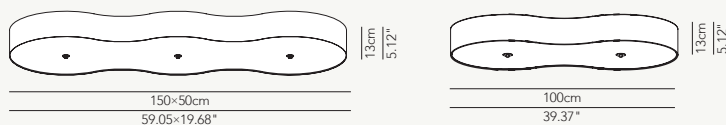
⊘ 3 × FC T5 22W

⊘ 3 × modulo LED 18W 3000K

INDOOR IP 20



TECHNICALS



FINISHES



cotton



plissé



plissé ribbon



met. pvc



washable

* on demand